

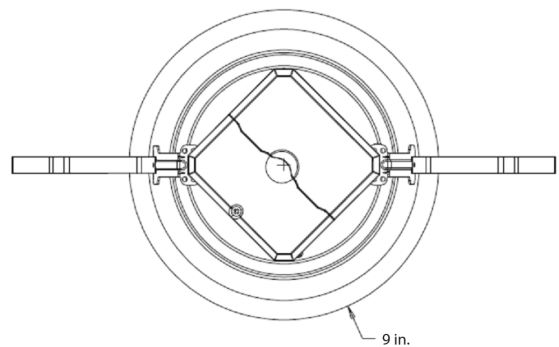
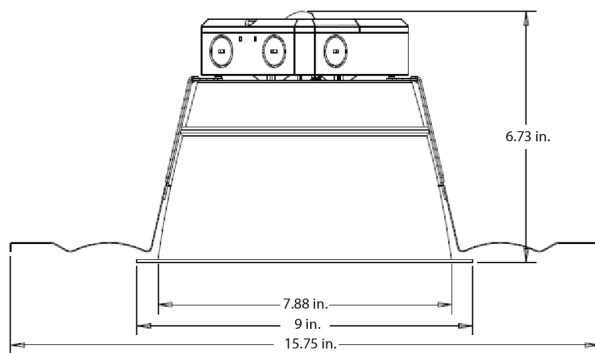


COMMERCIAL DOWNLIGHT SERIES

The LEDS Commercial Downlights are ideal for malls, hospitals, airports, offices, lobbies, and other applications. Reduces energy and maintenance costs when compared with conventional light sources.

FEATURES

- Energy Saving 30W Integrated LED.
- Maintenance Free - No Bulb Replacements
- Wet Location Rated
- Suitable for installations from -4°F to 113°F
- 50,000 Hours of Continuous Use
- 5-Year Warranty



Order Code	Part Number	Size	Watts	Lumens	CCT	Input	Voltage
DL3035	DL-8-3035-MV-N	8"	30	2500	3500	>80	120-277
DL3040	DL-8-3040-MV-N	8"	30	2500	4000	>80	120-277
DL3050	DL-8-3050-MV-N	8"	30	2500	5000	>80	120-277