

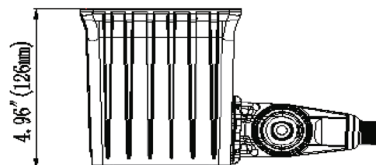
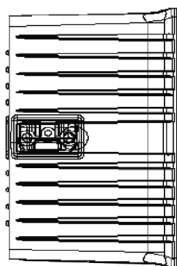
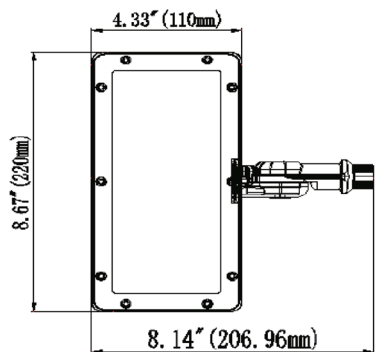


FLOOD LIGHT SERIES

The LED Flood Lights are perfect for new construction, retrofit and lighting upgrade solutions. High output and top of the line specifications. Available in multiple wattage and lumen output configurations to meet any lighting application.

FEATURES

- Lumileds LEDs: High efficacy, long life
- High efficiency driver: 120V – 277V
- Die-cast aluminum construction for superior thermal management.
- Premium optics for even light distribution, Utilization and control.
- 5-Year warranty



Shipping Information

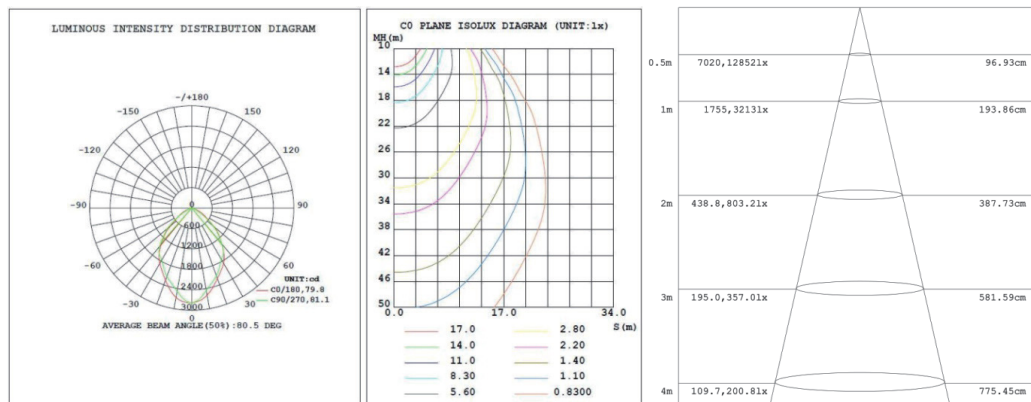
Order Code	Unit	Weight	Width	Length	Height
FL1111	Product	2.60 kg	220 mm	182.24 mm	110 mm
FL1111	Carton	13.15 kg	265 mm	190 mm	180 mm
FL1112	Product	2.90 kg	220 mm	182.24 mm	110 mm
FL1112	Carton	14.35 kg	265 mm	190 mm	180 mm

Order Code	Part Number	Watts	Lumens	CCT	Input	Voltage
FL1111	FL-4550-MV	45	4500	5000	>80	120-277
FL1112	FL-7050-MV	70	6800	5000	>80	120-277

TECHNICAL PARAMETERS

	FL-4550-MV	FL-7050-MV
Power	45W	70W
Input Voltage	AC100-277V	AC100-277V
PF	>0.95	>0.95
Driver Efficiency	>90%	>90%
Luminous Flux	4578 Lm	6800 Lm
Color Temperature	4000K/5000K	4000K/5000K
CRI	Ra>80	Ra>80
Lighting Angle	80 °	80 °
LED Brightness Decay	<5% / 6000 hrs	<5% / 6000 hrs
Working Life	>50000 hrs	>50000 hrs
Working Temperature	-30 - +45 °C	-30 - +45 °C
Storage Temperature	-40 - +80 °C	-40 - +80 °C
Protection Level	Wet Location / IP65	Wet Location / IP65
Cable	Input Connect, 0.3m	Input Connect, 0.3m

PHOTOMETRICS (45 W)



PHOTOMETRICS (70 W)

