

## WALL PACK

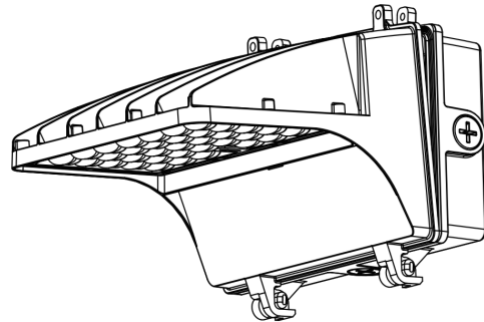
Wall pack light is one of the most dependable lights for security lighting luminaire. Applications include perimeter, security, stripmalls, entrance ways, and any general outdoor surface. The high performance optics are specifically designed to produce a Type III distribution.

## DESCRIPTION

- Energy Saving 40 Watt Integrated LED
- Lasts 45 years\* or 50,000 Hours Continuous Use
- Maintenance Free — No Bulb Replacements
- 5 Year Limited Warranty

## WP4053/WP-40-52-MV

Input Voltage	120-277V
Wattage	40W
Dimmability	Dimmable
Lumens	5200Lm
CCT <sub>3</sub>	5000K
Avg Rated Life <sup>1</sup>	50,000 hours
Power Factor	0.9
IP Rating	Wet Location
CRI <sub>4</sub>	>80Ra
Working Temp.	Min -4°F (-20° C), Max 104°F (40° C)
Product Dimensions	9.3 x 7.1 x 8.9 in
Product Weight	1.8lbs
Mastor Carton Weight	19.8lbs
Case Pack	4 pc



1 Hours lifetime with 70% lumen maintenance  
 2 Thermally stable typical lumens (±10%)  
 3 Thermally stable CCT (±10%)  
 4 Color rendering index/Ra