



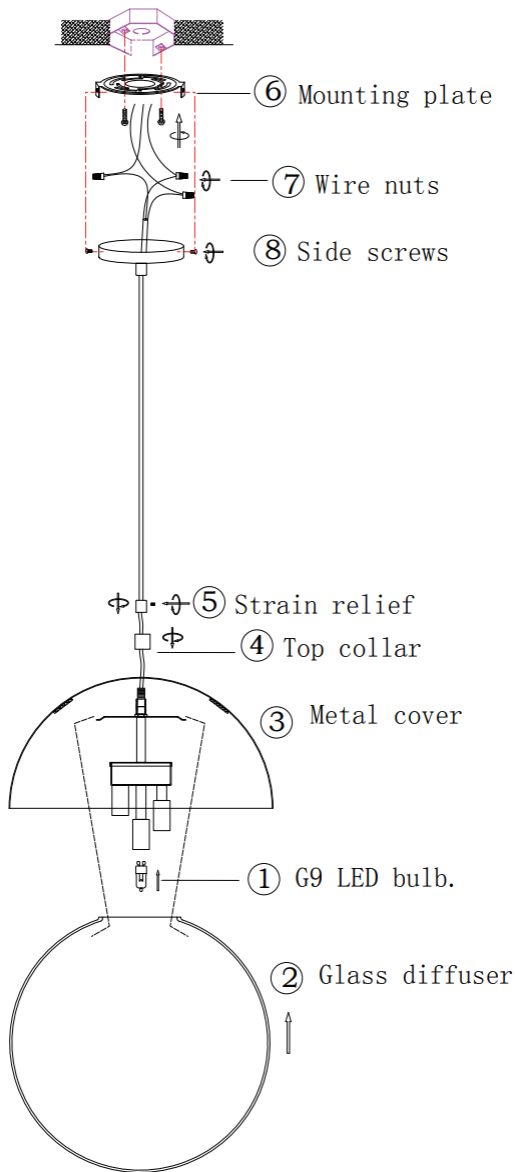
## DESCRIPTION

- Opal Glass Globe
- 5ft Chord
- G9 Lamp (not included)

Order Code	Model Number	Watts	Weight	Product Dimensions (Diameter x H in.)	Lamp Size
P10214	64602101	3x5W (G9)	6.16lbs	φ13.8" x 6"	G9 Lamp (not included)

- 1 Hours lifetime with 70% lumen maintenance
- 2 Thermally stable typical lumens (±10%)
- 3 Thermally stable CCT (±10%)
- 4 Color rendering index/Ra

## P10214



## INSTALLATION

1. Install the G9 LED bulbs into sockets.
2. Fit socket assembly into glass diffuser.
3. Place the metal cover on top of glass diffuser.
4. Secure with metal cover with the top collar.
5. Secure the strain relief on top collar and tighten the plastic screw.
6. Attach the mounting plate on ceiling with mounting screws.
7. Connect the wires from the fixture to the supply wires with wire nuts.
8. Secure the canopy over mounting plate with side screws.

## HOW TO REPLACE BULBS:

1. Loosen the strain relief and top collar on the top metal cover.
2. Slide up the metal cover to expose the glass holder/socket assembly.
3. Shift the angle of glass and twist the glass along the holder, take the glass holder out of glass.
4. Replace the bulbs.