



### LED LAMP SERIES

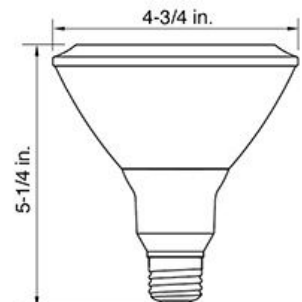
The LEDS PAR38 LED lamps are perfect for retrofit and lighting upgrade solutions.

### FEATURES

- E26 lamp base
- Soft White 3000k CCT
- 9.5 year life or 25,000 hour of continuous use
- 5 - Year Limited Warranty
- ETL Listed

## SHIPPING INFORMATION

Part Number	Unit	UPC	Weight	Width	Length	Height
PAR38-1330-15-MV	Product	849489007489	0.12 kg 0.27 lbs	12.1 cm 4.76"	12.1 cm 4.76"	12.6 cm 4.96"
PAR38-1330-15-MV	Carton	50849489007484	9.00 kg 19.84 lbs	39.7 cm 15.63"	52.7 cm 20.75"	44.2 cm 17.40"
PAR38-1830-40-MV	Product	849489007496	0.12 kg 0.27 lbs	12.1 cm 4.76"	12.1 cm 4.76"	12.6 cm 4.96"
PAR38-1830-40-MV	Carton	50849489007491	9.00 kg 19.84 lbs	39.7 cm 15.63"	52.7 cm 20.75"	44.2 cm 17.40"



### ETL Damp Location

Order Code	Part Number	Watts	Lumens <sup>1</sup>	CCT <sup>2</sup>	Avg Life <sup>3</sup>	CRI <sup>4</sup>	Beam Angle	Voltage	Operating Temp	Power Factor	Operating Frequency (Hz)
PAR1120	PAR38-1330-15-MV	13	950	3000	25000	80	15	90-277	Min. -4°F (-20°C) Max. 104° (40°C)	>0.7	50/60
PAR1130	PAR38-1830-40-MV	16	1350	3000	25000	80	40	90-277	Min. -4°F (-20°C) Max. 104° (40°C)	>0.7	50/60

This device complies with Part 15 of the FCC Rules. Operation is subject to the following conditions: (1) This device may not cause harmful interference, and (2) this device must accept any interference received, including interference that may cause undesired operation. For FCC Part 15 user information, please see [www.leds-llc.com/fcc15b](http://www.leds-llc.com/fcc15b)

1. Thermally stable typical lumens (+/- 10%)
2. Thermally stable CCT (+/- 10%)
3. Average life based on 70% lumen maintenance
4. Color rendering index/Ra