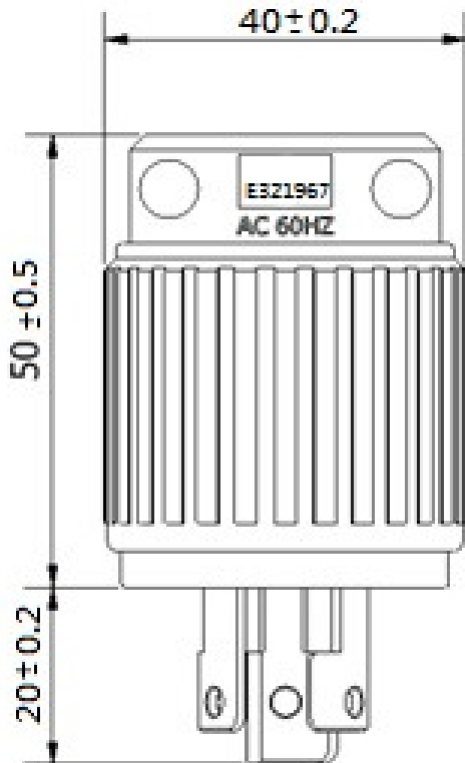




### DESCRIPTION

- 2 Pole, 3 Wire, Locking Plug
- Black and White
- Nylon material
- cUL Listed
- 1.5mm Copper Alloy Terminal with M4 Screws

Part Number	Configuration Type	Voltage	Amps	Frequency (Hz)
TLP715	NEMA L7-15P	277V	15A	60



### WIRE SPECIFICATIONS

- 16AWG3C
- 277V
- 15Ft UL PLV Wire