



## WALL PACK

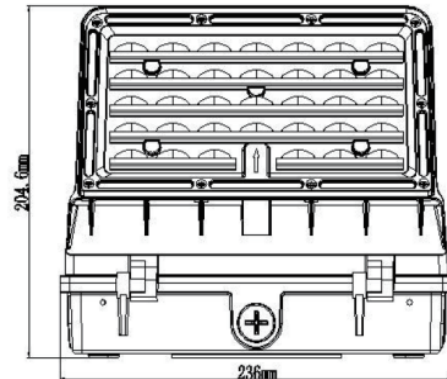
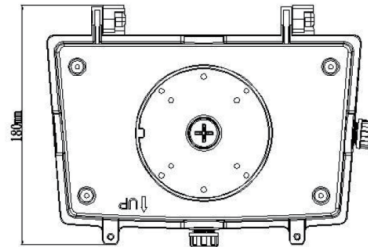
Wall pack light is one of the most dependable lights for security lighting luminaire. Applications include perimeter, security, stripmall, entrance ways, and any general outdoor surface. The high performance optics are specifically designed to produce a Type III distribution.

## DESCRIPTION

- Energy Saving 40 Watt Integrated LED
- Lasts 45 years\* or 50,000 Hours Continuous Use
- Maintenance Free — No Bulb Replacements
- 5 Year Limited Warranty

## WP4060

Part Number	WP-SC-40-52-MV
Input Voltage	120-277V
Wattage	40W
Dimmability	0-10V Dimmable
Lumens	5200Lm
CCT <sub>3</sub>	5000K
Avg Rated Life <sup>1</sup>	50,000 hours
Power Factor	0.9
IP Rating	Wet Location
CRI <sub>4</sub>	>70Ra
Working Temp.	Min -4°F (-20° C), Max 104°F (40° C)
Product Dimensions	9.3 x 7.1 x 8 in



1 Hours lifetime with 70% lumen maintenance  
 2 Thermally stable typical lumens (±10%)  
 3 Thermally stable CCT (±10%)  
 4 Color rendering index/Ra