



CANLESS WAFER COMMERCIAL DOWNLIGHTS

WITH SELECTABLE CCT | 120-277V

KEY FEATURES

CCT & Light Quality

- 5 Selectable CCTs (2700K, 3000K, 3500K, 4000K, 5000K)
- >90+ CRI
- Smaller trim ring for enhanced optical performance
- High impact, polymer diffuser lens for zero pixelation and overall visual comfort
- Uniform, even light distribution

Installation

- Two low-profile spring retention clips for a secure fit—no need for a separate recessed housing or junction box
- Easy to installed and service from below the mounting/ceiling surface
- Minimum 2" plenum space required to install the remote driver box
- Field select one of five CCTs at installation with an integral switch accessible on J-Box

Dimming, Controls

- 0-10V dimming standard

SPECIFICATIONS

Construction

- Durable die-cast aluminum low profile trim with ¼" surface profile
- Metal Junction Box
- IC Rated for maximum thermal management

Electrical

- 120-277V, 50/60Hz
- Wet Location
- Operating Temperature: -4°F to 104°F (-20°C to 40°C)

Warranty

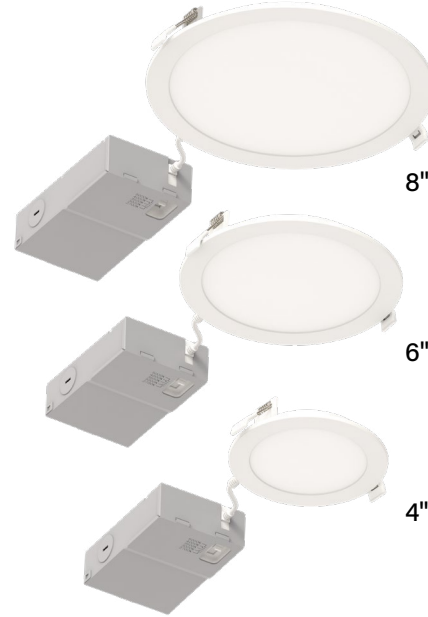
5-Year Standard Warranty. See terms at: LEDS-LLC.com

KEY DATA	
Lumen	800LM - 2500LM
Wattage	10-27W
Efficacy Range (LPW)	up to 92 LPW
Reported Life (Hours)	Minimum 50,000 hrs

STOCK ORDERING INFORMATION

Part Number	Size	Lumen Package	Wattage	CCT	CRI	Efficiency	Voltage	Dimming
DL-4-10-5CCT-MV-D	4"	800LM	10W	2700K, 3000K, 3500K, 4000K, 5000K	>90 (min)	80 LPW	120-277V	0-10V
DL-6-14-5CCT-MV-D	6"	1200LM	14W	2700K, 3000K, 3500K, 4000K, 5000K	>90 (min)	85 LPW	120-277V	0-10V
DL-8-27-5CCT-MV-D	8"	2500LM	27W	2700K, 3000K, 3500K, 4000K, 5000K	>90 (min)	92.5 LPW	120-277V	0-10V

DATE:	PROJECT:
TYPE:	NOTES:
PART #:	



Certifications & Test Data

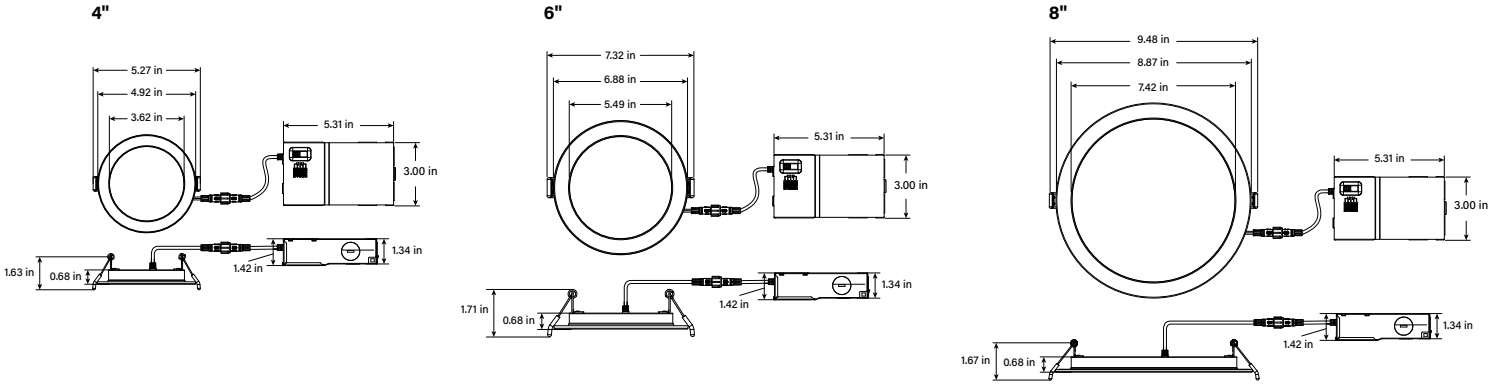
- Built to ETL standards
- Wet Location
- ENERGY STAR® rated
- RoHS compliant with no lead or mercury
- Product can be used to comply with California Title 24 Efficiency Standards
- Driver rated for FCC part 15 Class B for use in residential or commercial applications



LEDS, LLC
email: orders@LEDS-LLC.com | LEDS-LLC.com

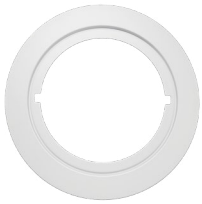
All specifications are subject to change without notice. All reported values are typical, measured under laboratory conditions @ 25° C (77° F). Actual performance can vary slightly as a result of end-user application & environment.

DIMENSIONS

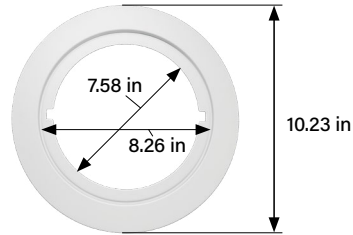


ACCESSORIES

10" Goof Ring



Part Number	Inner Ring Dimensions	Outer Ring Dimensions
DL-10-R	7.58 in	10.23 in



PHOTOMETRICS

Luminaire Data: DL-4-10-5CCT-MV-D (at 2700K)

IES File Name	DL-4-10-5CCT-MV-D_27K.IES
CCT & CRI	5 CCT, 90CRI
Delivered Lumens	833.5
Wattage	9.9W
Efficacy	84.19 LPW
Beam Angle	50% = 111.0° 10% = 161.4°
Spacing	0° = 1.24 90° = 1.25

Photometric values based on tests performed in compliance with LM-63 & LM-79.

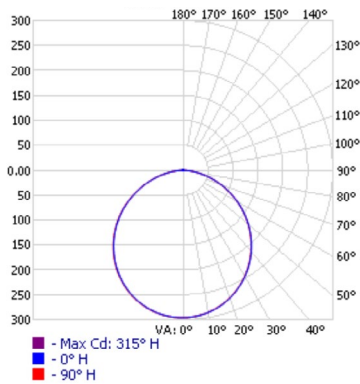
Zonal Lumen Summary

Zone	Lumens	% Luminaire
0-30	229.0	27.5%
0-40	374.2	44.9%
0-60	658.1	79%
0-90	832.5	99.9%
0-180	833.5	100%

Candela Distribution

Angle	0°	90°
0	296	296
5	294	294
10	290	289
15	283	282
20	273	273
25	261	260
30	247	246
35	231	230
40	212	211
45	192	191
50	171	170
55	149	148
60	125	124
65	101	101
70	77	77
75	53	53
80	32	32
85	13	13
90	0.09	0.08

Candela Plot



PHOTOMETRICS

Luminaire Data: DL-6-14-5CCT-MV-D (at 2700K)

IES File Name	DL-6-14-5CCT-MV-D_27K.IES
CCT & CRI	5 CCT, 90CRI
Delivered Lumens	842.1
Wattage	9.9W
Efficacy	85.06 LPW
Beam Angle	50% = 111.7° 10% = 162.0°
Spacing	0° = 1.27 90° = 1.25

Photometric values based on tests performed in compliance with LM-63 & LM-79.

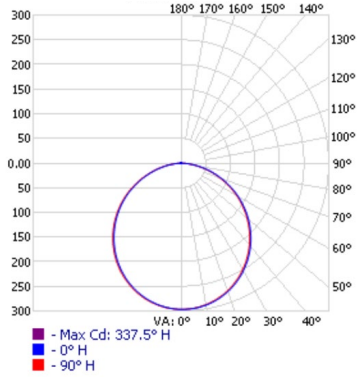
Zonal Lumen Summary

Zone	Lumens	% Luminaire
0-30	229.5	27.3%
0-40	375.4	44.6%
0-60	662.1	78.6%
0-90	841.2	99.9%
0-180	842.1	100%

Candela Distribution

Angle	0°	90°
0	296	296
5	296	295
10	292	291
15	286	284
20	277	275
25	266	263
30	253	250
35	237	234
40	219	216
45	200	196
50	179	175
55	156	153
60	133	129
65	109	105
70	84	81
75	60	57
80	37	34
85	17	15
90	2.19	0.2

Candela Plot



Luminaire Data: DL-8-27-5CCT-MV-D (at 2700K)

IES File Name	DL-8-27-5CCT-MV-D_27K.IES
CCT & CRI	5 CCT, 82.4CRI
Delivered Lumens	1664.8
Wattage	16.3W
Efficacy	102.1 LPW
Beam Angle	50% = 113.2° 10% = 162.3°
Spacing	0° = 1.27 90° = 1.26

Photometric values based on tests performed in compliance with LM-63 & LM-79.

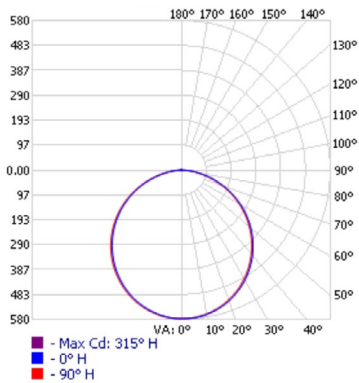
Zonal Lumen Summary

Zone	Lumens	% Luminaire
0-30	448.2	26.9%
0-40	734.5	44.1%
0-60	1,303.4	78.3%
0-90	1,662.9	99.9%
0-180	1,664.8	100%

Candela Distribution

Angle	0°	90°
0	577	577
5	576	574
10	569	567
15	557	555
20	541	536
25	519	514
30	494	488
35	464	457
40	431	424
45	394	386
50	353	346
55	311	303
60	265	258
65	218	210
70	169	162
75	120	114
80	73	68
85	32	27
90	3	3

Candela Plot



Load Information

Power Factor	> 0.90
THD	< 20%
Frequency	50/60 Hz
Low Temp Start/Max Temp	-4°F to 104°F (-20°C to 40°C)