

DATE:	PROJECT:
TYPE:	NOTES:
PART #:	

COMPACT LED EXIT SIGN RED LETTERING

KEY FEATURES

An effective and reliable exit sign, certified by UL, featuring 6" red LED letters. This device operates at 120 or 277 VAC. Arrows indicating the exit direction can be easily removed from the faceplate.

- 6" H x 3/4 stroke Red lettering
- Ultra Bright Red or Green LEDs
- Universal J-box mounting for quick and easy installation in minutes
- SALIDA faceplate available

SPECIFICATIONS

Construction

- Injection molded thermoplastic ABS housing
- UL 94V-0 flame retardant

Electrical

- Built-in 1.2V 1000mAh nickel cadmium battery for minimum of 90 min emergency operation
- Maximum 24 hr for full charge
- Test switch and charge indicators
- Operating Temperature: 32°F to 104°F (0°C to 40°C)
- Indoor damp location listed

Warranty

5-Year Standard Warranty. See terms at: LEDS-LLC.com



Certifications & Test Data

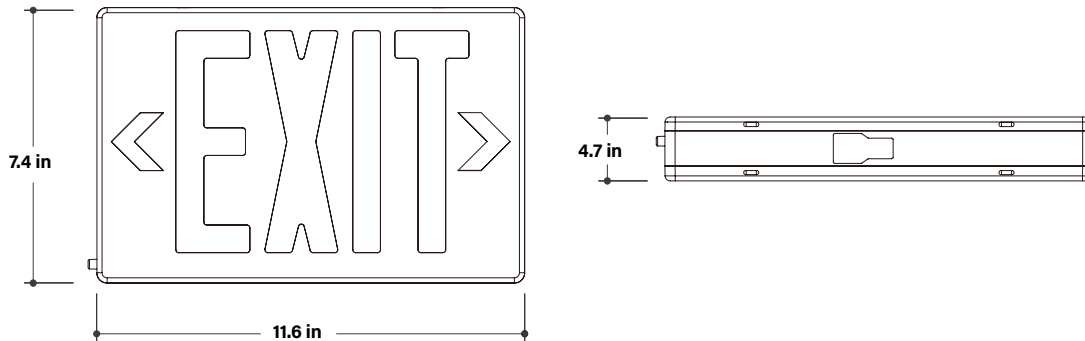
- cULus Classified, Damp Location
- RoHS compliant with no lead or mercury



STOCK ORDERING INFORMATION

Part Number	Color	Input Current	Input Wattage	Led Type	Charging Time	Emergency Run Time
ES-C-S	Red Lettering White housing	0.015/0.008A	1.9W	12 Pcs Red LEDs	24 hrs	90 mins

DIMENSIONS



SHIPPING INFORMATION

Model Number	Single Pack	Dimensions	Master Pack	Dimensions
ES-C-S	1 qty	11.61 X 7.48 X 1.73 in	6 qty	15.35 X 13.19 X 9.06 in

PHOTOMETRICS

Luminaire Data: ES-C-S (at 6500K)

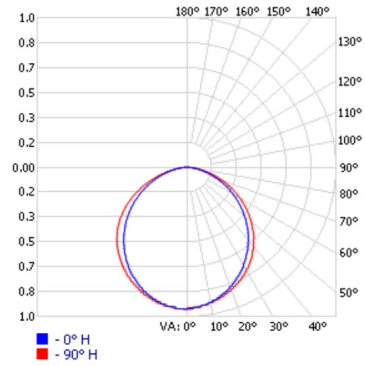
IES File Name	ES-C-S.IES
CCT & CRI	6500K, 80CRI
Delivered Lumens	480.9
Wattage	2.4W Lamp
Efficacy	200 LPW
Beam Angle	50% = 113.6° 10% = 159.5°
Spacing	0° = 1.19 90° = 1.26

Photometric values based on tests performed in compliance with LM-63 & LM-79.

Zonal Lumen Summary

Zone	Lumens	% Luminaire
0-30	0.7	28.6%
0-40	1.2	46.6%
0-60	2.1	81.1%
0-90	2.5	100%
0-180	2.5	100%

Candela Plot



Load Information

Power Factor	> 0.90
THD	< 20%
Frequency	50/60 Hz
Low Temp Start/Max Temp	32°F to 104°F (0°C to 40°C)