

DATE:	PROJECT:
TYPE:	NOTES:
CATALOG #:	

PAR30 LED LAMP REPLACES 75W

KEY FEATURES

LEDS LLC's PAR30 LED Lamp introduces an innovative solution to lighting needs. Highly efficient and longer-lasting, these LEDs promise a notable reduction in both energy consumption and maintenance expenses. With the convenience of utilizing your existing fixtures, this upgrade not only enhances sustainability but also contributes to significant cost savings over time.

CCT & Light Quality

- 3500K
- 80+ CRI

Light Output

- Lumen Output: 1800lm
- Efficacy Rating: up to 100 LPW
- Life time rating 25,000 hrs.

SPECIFICATIONS

Optics

- Flicker-free start
- Clear Lens
- 25° Beam Angle

Electrical

- Operates at 120-277V, 50/60Hz
- Power Factor: > 0.7 nominal | THD <20%
- Operating Temperature: -4°F (-20°C) to 113°F (45°C)
- Can be installed in shallow plenum spaces

Dimming

- TRIAC dimming at 120V

Warranty

5-Year Standard Warranty. See terms at: LEDS-LLC.com



Certifications & Test Data

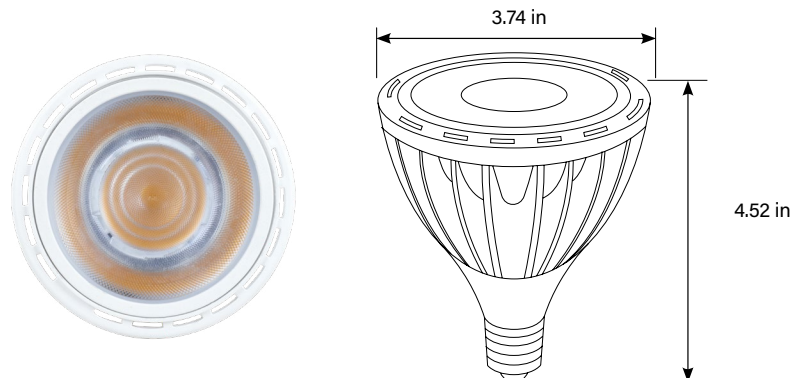
- ETL Listed, Damp Location
- RoHS compliant with no lead or mercury
- Rated for FCC part 15 Class B for use in residential or commercial applications



STOCK ORDERING INFORMATION

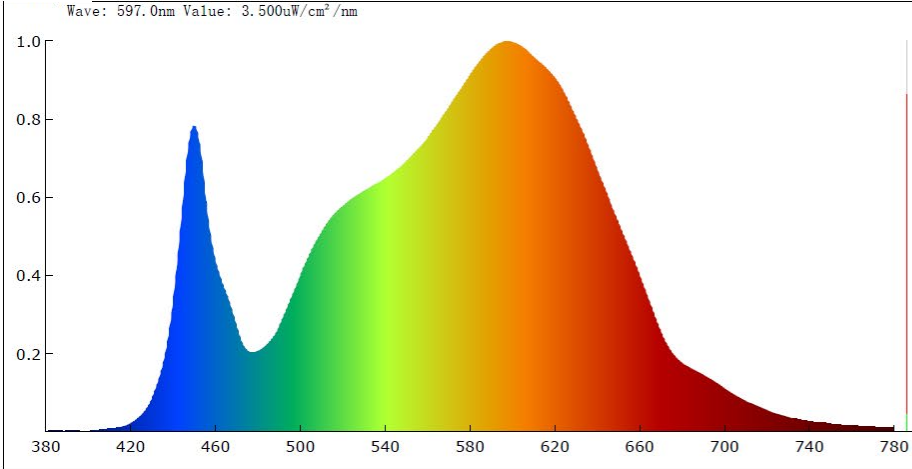
Part Number	Lumen Package	Wattage (Nominal)	Efficacy	CCT	Beam Angle	CRI	Voltage	PF
PAR1801	1800lm	18W	100 LPW	3500K	25°	80 (min)	120-277V	>0.7

KEY DATA	
Lumen	1800lm
Wattage	18W
Efficacy Range (LPW)	100 LPW
Reported Life (Hours)	L70 / 25,000



PHOTOMETRICS

Relative Spectrum



CIE1931

