

DATE:	PROJECT:
TYPE:	NOTES:
PART #:	

PAR38 LED LAMP

SOFT WHITE 3000K

KEY FEATURES

This PAR38 LED lamp with an E26 base delivers soft white light at 3000K CCT, offering versatility with 15° and 40° beam angles. Designed for durability, it provides up to 25,000 hours of use (approximately 9.5 years) and operates efficiently in temperatures from -4°F to 104°F. ETL listed for damp locations and backed by a 5-year limited warranty, this lamp is a reliable choice for all applications.

CCT & Light Quality

- 3000K
- 80+ CRI

Light Output

- Lumen Output:
13W: 950lm
16W: 1350lm
- Efficacy Rating: up to 84 LPW

SPECIFICATIONS

Construction

- E26 Lamp Base
- 15° (13W) & 40° (16W) Beam angle

Electrical

- Operates at 120V, 50Hz
- Operating temp: Min. -4°F - 104° F (-20°C - 40°C)
- 9.5 year life or 25,000 hour of continuous use

Warranty

5-Year Standard Warranty. See terms at: LEDS-LLC.com



Certifications & Test Data

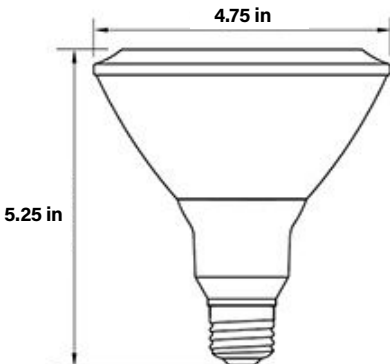
- ETL Listed
- RoHS compliant with no lead or mercury
- Rated for FCC part 15 Class B for use in residential or commercial applications



STOCK ORDERING INFORMATION

Part Number	Order Number	Wattage	Lumen Package	CCT	CRI	Bulb Base	Voltage
PAR38-1330-15-MV	PAR1120	13W	950	3000K	80 (min)	E26	90-277V
PAR38-1830-40-MV	PAR1130	16W	1350	3000K	80 (min)	E26	90-277V

DIMENSIONS



SHIPPING INFORMATION

Part Number	Unit	Weight	Width	Length	Height
PAR38-1330-15-MV	Product	0.27 lbs	4.76 in	4.76 in	4.96 in
PAR38-1330-15-MV	Carton	19.84 lbs	15.63 in	20.75 in	17.40 in
PAR38-1830-40-MV	Product	0.27 lbs	4.76 in	4.76 in	4.96 in
PAR38-1830-40-MV	Carton	19.84 lbs	15.63 in	20.75 in	17.40 in