

DATE:	PROJECT:
TYPE:	NOTES:
CATALOG #:	

4IN X 4IN SQUARE POLE 20FT AND 25FT

KEY FEATURES

The Straight Square Steel poles are constructed using high-strength steel tubing and come with options for side drilling to accommodate arm-mounted area lighting luminaires or with tenon mounts for flood and post-top luminaires. Common applications for area lighting include retail centers, industrial parks, schools, universities, public transit areas, airports, office buildings, and medical facilities. The mounting heights can range from 10 to 30 feet, depending on the selected luminaire and application.

SPECIFICATIONS

Finish

- Textured architectural bronze powder coat finish, baked to ensure maximum paint adhesion, hardness and durability.

Hand Hole Cover Included

- Enables electrical workers to connect the wires from underground to the wires that supply power to the overhead light

Anchor Bolts | Base Cover

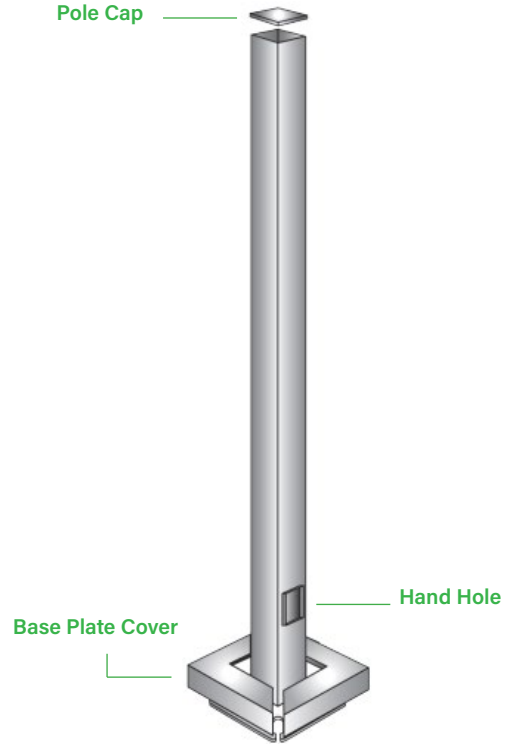
- Anchor Bolts are included
- The poles come with a two-piece formed steel base cover, which can be easily assembled and placed over the pole base.

Pole Length

- Poles are available in standard lengths and can be custom cut to order. Consult Factory.

Warranty

5-Year Standard Warranty. See terms at: LEDS-LLC.com

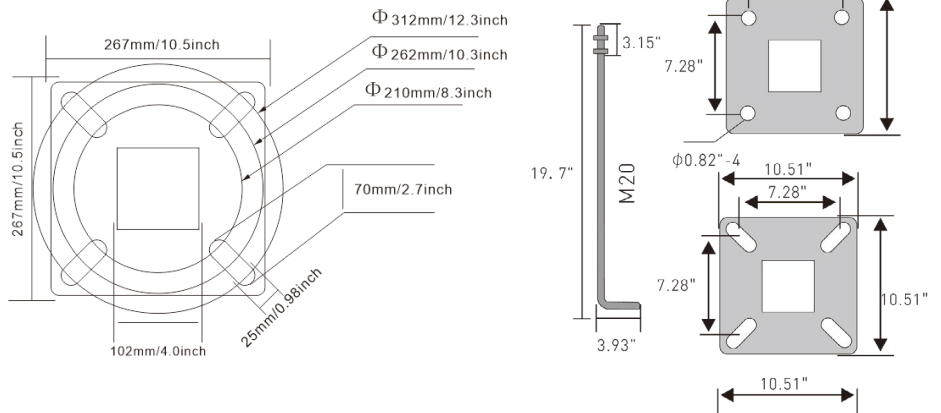
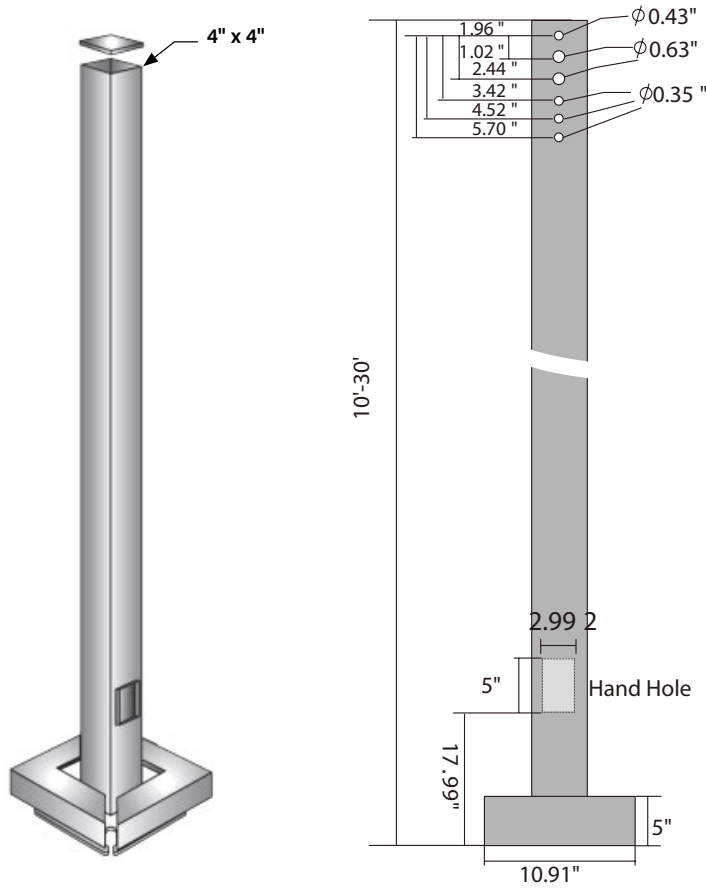


STOCK ORDERING INFORMATION

Catalog Part Number	Pole Dimensions			Base Plate	Anchor Bolts	
	Nominal Mounting Height	Wall Thick (ga)	Structural Weight (lb)	Bolt Circle Diameter (in)	Dia x Length x Hook (in)	Projection (in)
P20F4NSQ	20'	11	200	8.0 - 9.0	0.75 x 17.00 x 3.00	3.25 - 3.75
P25F4NSQ	25'	11	225	8.0 - 9.0	0.75 x 17.00 x 3.00	3.25 - 3.75

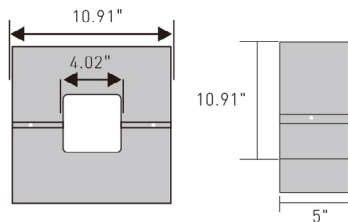
Maximum EPA with 1.3 Gust Factor (ft ²)		Pole weight (lbs)
70mph	4.6	
80mph	3.0	
90mph	1.7	
110mph	0.7	
120mph	0.7	

DIMENSIONS



Base Mounting Screw

Finish: Silver
 Before installing the lamp pole, the installation hook should be buried underground and secured by cement. After installation, the lamp pole should be fastened using a locking screw, and the base should be installed.



Base Shield

Finish: Dark Bronze
 The 5" base shield is installed to safeguard the base after securing the lamp pole. This ensures that the lamp pole base remains undamaged, thereby extending the service life of the lamp pole.