

DATE:	PROJECT:
TYPE:	NOTES:
PART #:	

LED VAPOR TIGHTS

5000K CCT | 120-277V

KEY FEATURES

The vapor-tight fixture is a cost-effective, energy-efficient alternative to traditional fluorescent lights. Its IP65-rated, sealed polycarbonate body and lens protect against dust, dirt, and humidity, making it ideal for harsh indoor and outdoor environments like parking garages, cold storage, food processing, and car washes. With 130 LPW, 0-10V dimming, motion sensor, and optional emergency battery backup, it delivers reliable, efficient lighting.

CCT & Light Quality

- 5000K, 80+ CRI
- Efficacy: 130 LPW

Dimming, Controls

- 0-10V dimming standard

SPECIFICATIONS

Construction

- Grey Polycarbonate
- Polycarbonate diffuser integrated with powder coated lighting tray
- Stainless steel clips
- Reinforced drill points in base for direct surface fixing, or conduit suspension.
- Stainless steel surface mounting clips
- Can also be suspended from wire/chain using clips provided

Electrical

- 120-277V, 50/60Hz
- Wet Location, IP65
- Operating Temperature: -40°F to 122°F (-40°C to 50°C)

Warranty

5-Year Standard Warranty. See terms at: LEDS-LLC.com



Certifications & Test Data

- cULus Classified, Wet Location, IP65
- RoHS compliant with no lead or mercury
- DLC Premium Listed. Search qpl.designlights.org for details

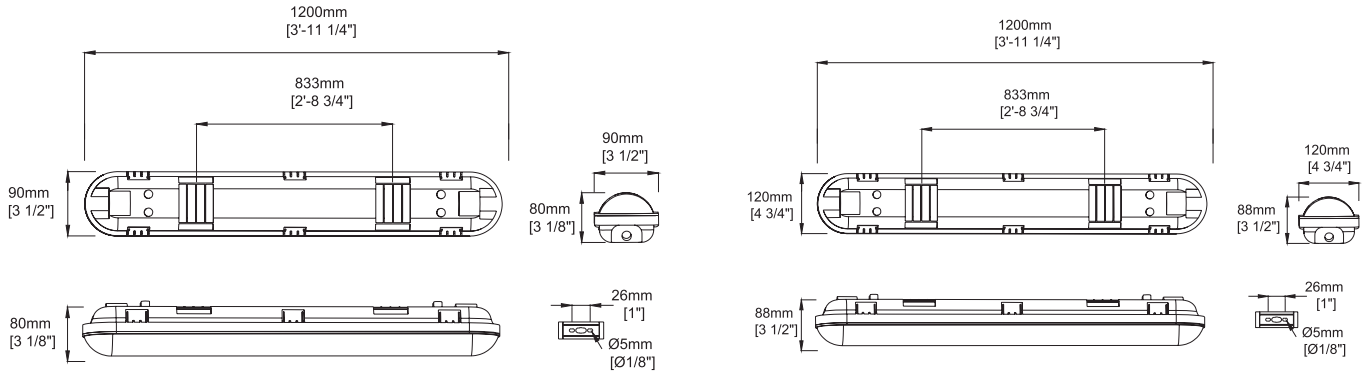


KEY DATA	
Lumen	2600LM - 5200LM
Wattage	20-40W
Efficacy Range (LPW)	130 LPW
Reported Life (Hours)	Minimum 50,000 hrs

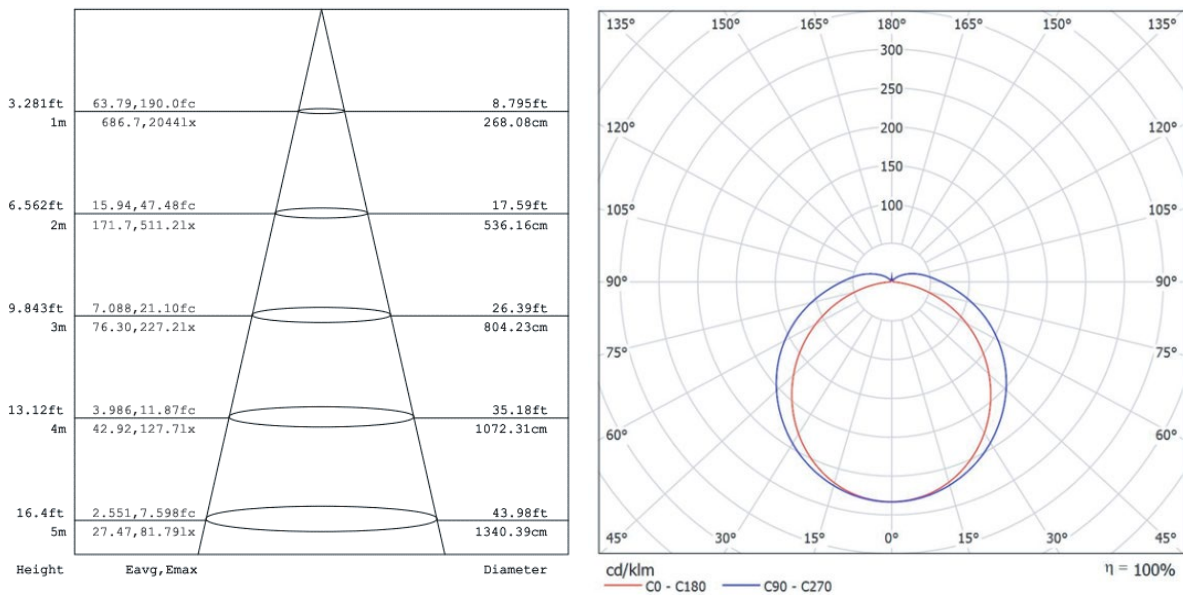
STOCK ORDERING INFORMATION

Part Number	Size	Lumen Package	Wattage	CCT	Efficiency	CRI	Voltage	Dimming
VT-F4-2050-D	4ft	2600LM	20W	5000K	130 LPW	80 (min)	120-277V	0-10V
VT-F4-4050-D	4ft	5200LM	40W	5000K	130 LPW	80 (min)	120-277V	0-10V

DIMENSIONS



PHOTOMETRICS



OPTIONAL MOTION SENSOR AND REMOTE

The BRI810-H-D motion sensor offers 360° detection at a 5.8GHz frequency. Its microwave technology (<0.2mW output) ensures safety and superior performance compared to infrared sensors. With a stable operating range from -40°C to +70°C, it delivers reliable performance in various conditions.



BRI810-H-D



RC-100

OPTIONAL EMERGENCY BATTERY BACKUP

VFRA Emergency LED Driver – R/C, FTBR2/8, rated 100-277V, 50/60Hz, 65mA, 4W input. 15-55Vdc, 850 mA, 13.5W output. Charge Time, 24 Hours. Run Time, 90 minutes.
 VFRB Emergency LED Driver – R/C, FTBR2/8, rated 100-277V, 50/60Hz, 50mA, 2.5W input. 15-55Vdc, 470 mA, 7W output. Charge Time, 24 Hours. Run Time, 90 minutes.
 VFRC, VFRE non-Emergency option





The mounting brackets allow adjustable spacing for easy alignment.



The PC cover offers up to 92% light transmittance, while the integrated design of the lens cover and LED plate ensures easier installation and use.



The fixed clips are stylish, reliable, and simple to use.

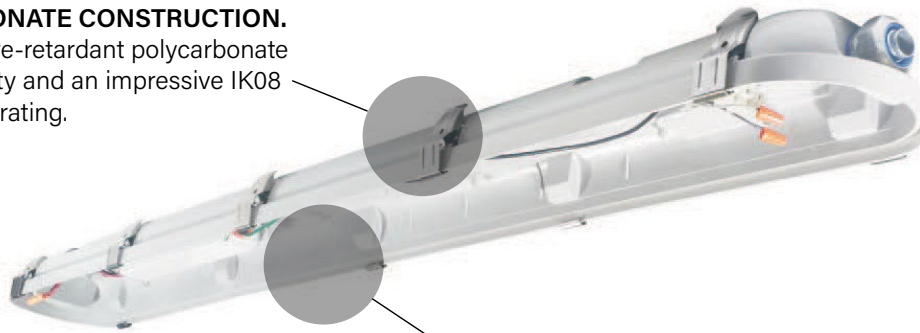


GOOD THERMAL MANAGEMENT.

Top of the range UL approved flicker-free driver installed on separate heat sink gear tray for good thermal management and long-life.

ALL-POLYCARBONATE CONSTRUCTION.

Crafted from V0 fire-retardant polycarbonate for enhanced safety and an impressive IK08 impact resistance rating.



REVOLUTIONARY DESIGN.

Advanced design of polycarbonate diffuse integrated with lighting tray provide significant protection on LEDs and saving on installation and maintenance.