

DATE:	PROJECT:
TYPE:	NOTES:
CATALOG #:	

FULL CUTOFF WALL PACK WITH PHOTOCELL

KEY FEATURES

The LEDS cutoff design optimizes light distribution and spacing for applications, eliminating uplight. It includes a photocell with enable-disable capability, providing flexibility and enhancing efficiency. Applications include lighting for entrances or courtyards, industrial settings, outdoor landscapes, buildings, hotels, wall area lighting and more.

CCT & Light Quality

- 5000K
- >80+ CRI

Light Output

- Light Output: 5743.7 LM
- Efficacy Rating: 137 LPW
- Life time rating 50,000 hrs.

Dimming, Controls

- 0-10V dimming standard
- Photocell w/ enable disable standard

SPECIFICATIONS

Construction

- Die-cast aluminum design for better cooling and light quality
- All color housing

Optics

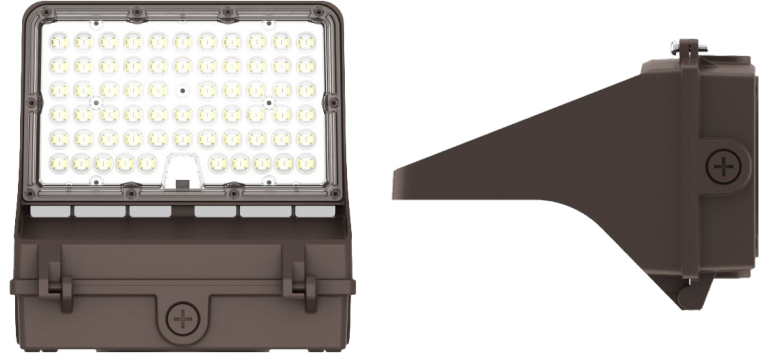
- Type III distribution
- LED type SMD2835, 64 pcs
- 120° Beam Angle

Electrical

- High efficiency LED Driver at >90%
- 120-277V, 50/60Hz

Warranty

5-Year Standard Warranty. See terms at: LEDS-LLC.com



Certifications & Test Data

- cULus Classified, Wet Location
- IP65 Rated
- RoHS compliant with no lead or mercury
- DLC* (DesignLights Consortium) Premium 5.1. Please refer to DLC for specific product qualifications at www.designlights.org

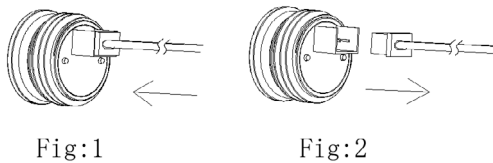
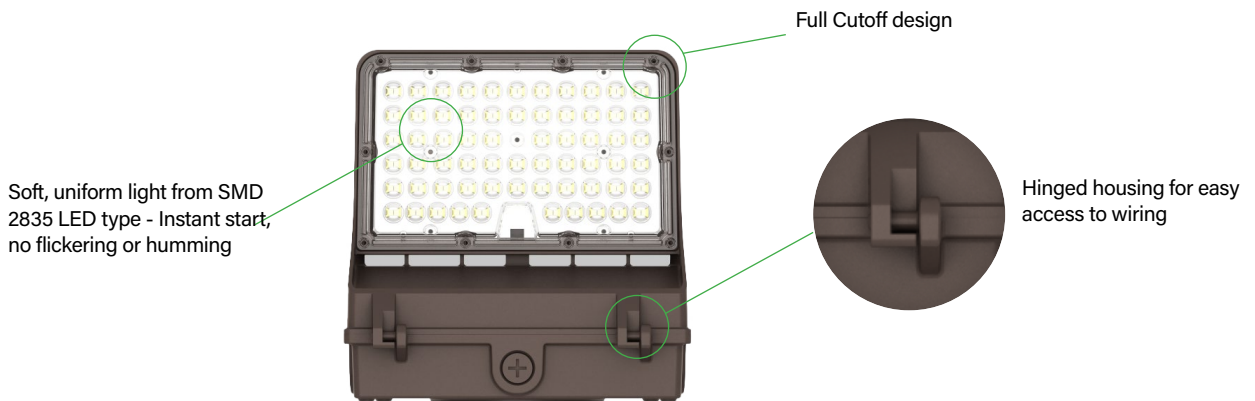
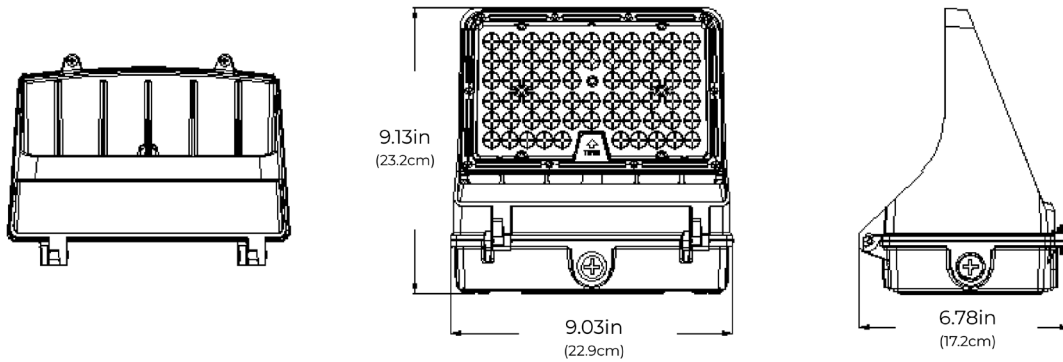


KEY DATA	
Lumen	5743.7 LM
Wattage	40W
Efficacy Range (LPW)	137 LPW
Reported Life (Hours)	50,000

STOCK ORDERING INFORMATION

Catalog Part Number	Order Code	Lumen Package	CCT	Efficacy	Wattage	CRI	Voltage	Bug Rating			Dimming
								B	U	G	
WP-40-52-MV-N	WP4054	5743.7 LM	5000K	137.61 LPW	40W	>80 (min)	120-277V	2	2	1	0-10V

DIMENSIONS

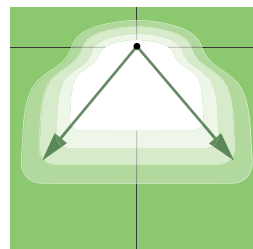


Photocell
 Fig 1: Connect the male and female ends to enable the photocell.
 Fig 2: Disconnect the male and female ends to disable the photocell.

Load Information

Power Factor	0.90
THD	< 20%
Frequency	50/60 Hz
Sound Rating	< 20 DbA
Operating Low Temp Start / Max Temp	-40°F (-40°C) to 122°F (50°C)
Sensor Low Temp Start / Max Temp	-13°F (-25°C) to 122°F (50°C)

TYPE III



DISTRIBUTION

Type 3 optics produce an asymmetrical pattern that directs the majority of the light forward and equally on both sides of the luminaire. In a back-to-back configuration, it creates a rectangular pattern.